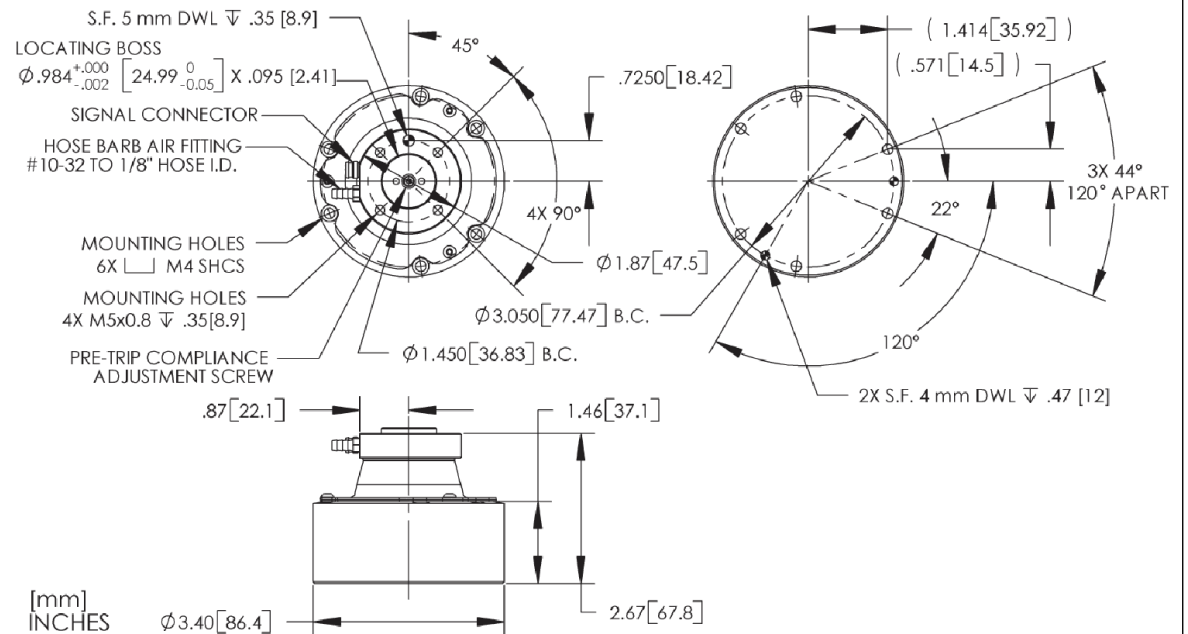


Moment Resistance	29 - 274 in-lb
Variable from 10 to 90 psi (0.68 to 6.2 bar)	3- 31 Nm
Torque Resistance	56 - 362 in-lb
Variable from 10 to 90 psi (0.68 to 6.2 bar)	6- 41 Nm
Force Resistance	25 - 229 lbf
Variable from 10 to 90 psi (0.68 to 6.2 bar)	111 - 1,019 N
Angular Compliance	±13 deg
	±0.23 rad
Rotary Compliance	±24 deg
	±0.42 rad
Axial Compliance	0.31 in
Compression	7.9 mm
Repeatability (x, y & z)	±0.0005 in
Measured at center and O.D. of tool plate	±0.0127 mm
Repeatability (about z axis)	±0.017 deg
Measured at center and O.D. of tool plate	
Pre-Trip Compliance	0 to 0.100 in
Range of Adjustability	0 to 2.54 mm
Temperature Rating	-30° to 210°F
	-34° to 99°C
Sensor	10 - 30 VDC 200mA
	normally closed switch
Response Time	2 - 6 ms

†Resistance at the factory setting of 0.025" (0.64 mm) compliance. Resistance increases slightly as the pre-trip compliance is increased.

NOTE: The PRCS-4619 must be electrically isolated from the robot when the tooling below it has a voltage potential.



QUANTITY REQUIRED: MATERIAL :6061 FINISH: BLACK ANODIZE	DATE:	DRAWN BY: RS	CHK'D BY: GJH	TOLERANCES: (EXCEPT AS NOTED)
HAAS PN# PRCS-C-4619				X.XXX= ± 0.005
SPECIFICATIONS SUBJECT TO CHANGE WITHOUT NOTICE. CONTACT HAAS LTI FOR MORE INFORMATION.				X.XX= ± 0.01
				X X/X = ± 1/64
				ANGULAR: ± 0.5°

No.	REVISIONS	DATE	APPD



37 IRONIA ROAD  
 FLANDERS NJ 07836  
 (973) 598-1150  
 Fax: 598-1151

PRCS-C-4619  
 CUSTOMER SPEC

BOM#  
 NA  
 SCALE: 1:1